



WAVOR[®]

Professional Torque Tools And Accessories

About Wavor

Wavor precision Machinery Co.,Ltd

Wavor machinery company was founded in 2008. We only specialize in manufacturing torque tools. Our main products: electric torque wrench (electrical nut runner), pneumatic torque wrench (pneumatic nut runner), manual force multiplier (hand torque multiplier) and rechargeable torque wrench (cordless torque wrench or battery torque wrench). Our products are widely used in maintenance, installation and manufacture in industry, exported to EU, Russia, Southeast Asia, Australia and so on.

In addition to the standard production, Wavor also customized special accessories (such as reaction arm and special tooling, etc.), torque wrenches or solutions. In a word, regardless you need a single torque wrench, a solution or a special application, Wavor could meet your needs. We can complete the repair within 2 days.

All Wavor's products go through a rigorous torque calibration and testing. Each torque wrench has a torque test report.



Contents

Tool selection reference

Torque table, common torque units conversion 1

Electric torque wrench

ESW digital single speed electric wrench 2

ETW-S digital straight electric torque wrench 3

ETW-A digital angled electric torque wrench 4

Rechargeable torque wrench

RMW Cordless torque wrench 5

Pneumatic torque wrench

PSW low noise single speed pneumatic wrench 6

QPTW-S low noise straight pneumatic torque wrench 7

QPTW-A low noise angled pneumatic torque wrench 8

PTW standard straight/angled pneumatic torque wrench 9

Manual force multiplier

Hand torque multiplier 10

Torque test devices

TS special torque sensor 11

Accessories

Outer hexagonal socket 12

Inter hexagon sleeve, special reaction arm and tooling 13



Recommended torque table

Bolts strength grade			4.8	6.8	8.8	10.9	12.9
Minimum broken strength			392Mpa	588Mpa	784Mpa	941Mpa	1176Mpa
Bolts size	Outer hex(mm)	Inner hex(mm)	Recommended torque				
			Nm				
M14	22	12	69	98	137	165	225
M16	24	14	98	137	206	247	353
M18	27	14	137	206	284	341	480
M20	30	17	176	296	402	569	480
M22	32	17	225	333	539	765	911
M24	36	19	314	470	686	981	1176
M27	41	19	441	637	1029	1472	1764
M30	46	22	588	882	1225	1962	2350
M33	50	24	735	1127	1470	2060	2450
M36	55	27	980	1470	1764	2453	2940
M39	60	27/30	1176	1764	2156	2943	3626
M42	65	32	1519	2352	2744	3826	4606
M45	70	—	1764	2744	3136	4415	5390
M48	75	36	2254	3430	3920	5592	6664
M52	80	36	2744	4116	4704	6573	8330
M56	85	41	3528	5149	5978	8437	10290
M60	90	46	4018	5978	7742	10791	13230
M64	95	46	4998	7448	8820		
M68	100	50	5684	8528	10780		
M72	105	55	6468	9800	12640		
M76	110	60	7350	10780	14700		
M80	115	65	8143	12250	18130		
M85	120	70	8820	13720	22050		
M90	130	70/75	10584	16170	24500		

Note:

1. The above is only for reference, when dealing with specific connection, please according to the technological requirements
2. The above data is from Germany industrial standard, torque for bolt to yield limit when 70%.
3. The recommended torque: in accordance with 70–80% of table data when locking bolts.

Common torque units conversion

1Nm=0.7376Ft.lbs	Ft.lbs=1.3558 Nm
1Nm=8.8507Ft.in	Ft.in =0.1130 Nm
1Nm=0.1019Kgf.m	Kgf.m= 9.8068Nm
1Nm=10.1970 Kgf.cm	Kgf.cm=0.0981 Nm

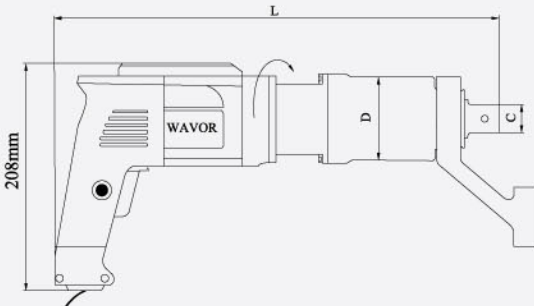


ESW series

Small size, light weight, more portable

Single speed electric wrench:

- Input: 220–240V AC, 50/60Hz
- Preset torque and automatic shutoff when reaching the set torque
- High output and repeat accuracy: $\pm 5\%$ and $\pm 3\%$
- Digital torque control system with LCD display
- Free connection of power handle and drive unit
- Portable and durable design, low noise, with overload protection
- With long-life and automatic cut-off carbon brushes
- Double insulation, more safe
- Industrial design, continuous use ability

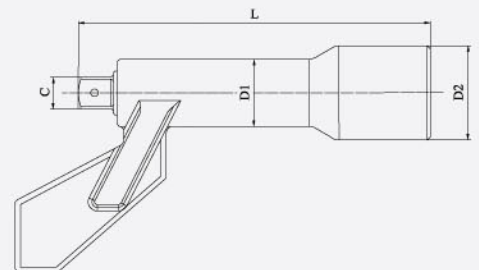


Model	Torque (Nm)	Square C	Diameter D (mm)	Long L (mm)	Free Speed (rpm)	Weight* (kg)
ESW-04	80-450	3/4"	76	400	21	5.4
ESW-08	100-850	3/4"	76	400	12	5.4
ESW-12	200-1200	1"	76	400	9	5.5

*Excluding the reaction arm weight, the standard is about 0.9kg

Special extension rod: They are very available for use in situations where the tool access is restricted, such as the wheel nuts on mining machines and heavy vehicles.

Model	Square C	Long L (mm)	Diameter D1 (mm)	Diameter D2 (mm)	Suitable tools
ER2-0.75	3/4"	230	48	74	ESW-04 ESW-08 PSW-06
ER4-0.75		430			
ER2-1	1"	230	52	74	ESW-12 PSW-10 PSW-15 PSW-20
ER4-1		430			



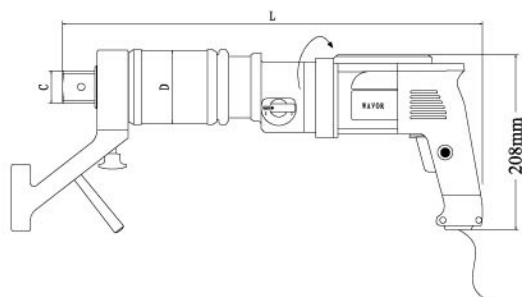


ETW-S series

Digital torque system with LCD

Digital electric torque wrench(straight type):

- ⊙ Input: 220–240V AC, 50/60Hz
- ⊙ Preset torque and automatic shutoff when reaching the set torque
- ⊙ High output and repeat accuracy: $\pm 5\%$ and $\pm 3\%$
- ⊙ Single-chip intelligent torque control system with LCD display
- ⊙ With manual 2-speed gearbox, high/low speed can be shifted freely
- ⊙ Free connection of power handle and drive unit
- ⊙ Industrial design, good continuous working ability
- ⊙ Higher efficiency compared with hydraulic torque wrench



⊕ LCD and Button



Model selection:
For loosening, the torque should be 50% bigger than tightening.



Model	Torque (Nm)	Square C	Diameter D (mm)	Long L (mm)	Free Speed (rpm)	Weight* (kg)
ETW-08S	100-800	3/4"	88	432	24	6.7
ETW-12S	200-1200	1"	88	439	20	6.8
ETW-26S	400-2600	1"	88	486	7.5	8.6
ETW-38S	500-3800	1-1/2"	88	496	5.2	9.2
ETW-60S	1000-6000	1-1/2"	129	525	3.8	16
ETW-80S	1200-8000	1-1/2"	129	558	1.9	18
ETW-100S	1800-10000	1-1/2"	129	558	1.6	18.2
ETW-120S	2000-12000	1-1/2"	129	558	1.3	18.4

*Above weight does not include reaction arm
*Free speed is no load speed under gear 2

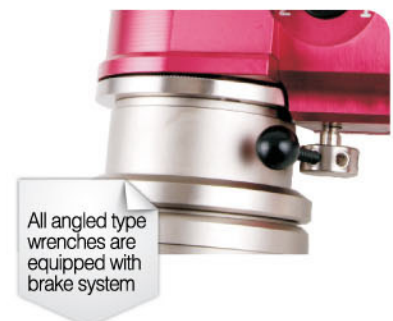
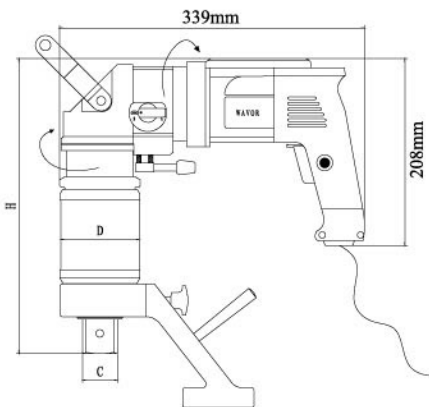
ETW-A series

Digital torque system with LCD



Digital electric torque wrench(angled type):

- Input:220-240V AC,50/60Hz
- Preset torque and automatic shutoff when reaching the set torque
- High output and repeat accuracy: $\pm 5\%$ and $\pm 3\%$
- Digital torque control system with LCD display
- With manual 2-speed gearbox, high/low speed can be shifted freely
- More suitable for limited working space compared to the straight type
- Industrial design, good continuous working ability
- Double insulation, more safe



Ⓐ Rotate 360°, more safe and convenient



Model	Torque (Nm)	Square C	Diameter D (mm)	High H (mm)	Free Speed (rpm)	Weight* (kg)
ETW-08A	100-800	3/4"	88	252	24	7.9
ETW-12A	200-1200	1"	88	259	20	8.0
ETW-26A	400-2600	1"	88	306	7.5	9.8
ETW-38A	500-3800	1-1/2"	88	316	5.2	10.4
ETW-60A	1000-6000	1-1/2"	129	345	3.8	17.2
ETW-80A	1200-8000	1-1/2"	129	378	1.9	19.2
ETW-100A	1800-10000	1-1/2"	129	378	1.6	19.4
ETW-120A	2000-12000	1-1/2"	129	378	1.3	19.6

*Above weight does not include reaction arm
*Free speed is no load speed under gear 2

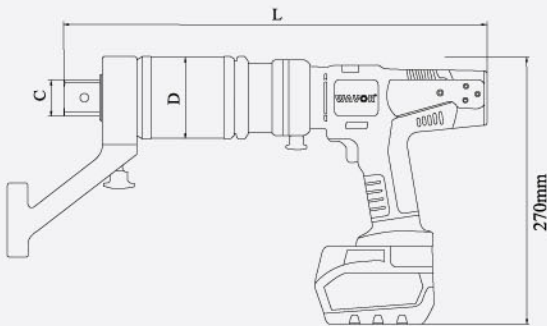
RMW series

Digital torque system with LCD



Digital rechargeable torque wrench:

- Preset torque and automatic shutoff when reaching the set torque
- High output and repeat accuracy: $\pm 5\%$ and $\pm 3\%$
- With manual 2-speed gearbox, high/low speed can be shifted freely
- 28V 3Ah LITHIUM-ION battery, powerful and durable, charges just in 1 hour or less
- Suitable for removing or assembly the large nuts and bolts but no power supply
- Free connection of power handle and drive unit, equipped with brake system
- Supply scope: 2 pieces of Lithium battery and 1 piece of quick charger



Model	Torque (Nm)	Square C	Diameter D (mm)	Long L (mm)	Free Speed (rpm)	Weight* (kg)
RMW-07	100-700	3/4"	88	376	18	7.1
RMW-10	200-1000	1"	88	383	13	7.2
RMW-12	200-1200	1"	88	383	10.5	7.2
RMW-25	300-2500	1"	88	430	4.5	9.0
RMW-32	400-3200	1"	88	430	3.5	9.0
RMW-40	500-4000	1-1/2"	88	440	3	9.6

*Above weight includes 1 piece of battery, but does not include the reaction arm
 *Free speed is no load speed under gear 2

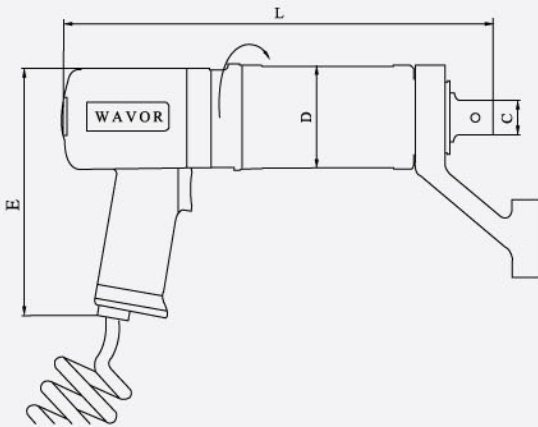


PSW series

Small size, light weight, more portable

Single speed pneumatic wrench:

- Air pressure requirements: not less than 6 bar
- Air flow requirements: PSW-06、10、15, not less than 600L/min, PSW-20, not less than 1000L/min
- Preset torque, output and repeat accuracy: $\pm 5\%$ and $\pm 3\%$
- Powerful and low noise, less than 80Db
- Free connection of power handle and gear box, could be rotated 360°
- With single speed gearbox, light weight and small size, easily operated
- Very suitable for continuous working in production assembly and maintenance
- Supply scope: Air register, hose, quick coupling (air inlet connector of air register is excluded)

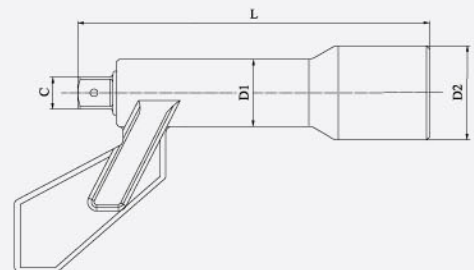


Model	Clockwise Torque (Nm)	Anticlockwise Torque (Nm)	Square C	Diameter D (mm)	Long L (mm)	Width E (mm)	Free Speed* (rpm)	Weight* (kg)
PSW-06	75-650	780	3/4"	76	300	186	23	4.9
PSW-10	120-1060	1260	1"	76	300	186	13	5.0
PSW-15	170-1500	1800	1"	76	300	186	10	5.0
PSW-20*	280-2000	2400	1"	76	307	200	8	5.8

*Above weight does not include reaction arm, the standard reaction arm is about 0.9kg
 *Free speed is no load speed at 6bar air pressure
 *The max air consumption of PSW-20 is 1000L/min

Special extension rod: They are very available for use in situations where the tool access is restricted, such as the wheel nuts on mining machines and heavy vehicles.

Model	Square C	Long L (mm)	Diameter D1 (mm)	Diameter D2 (mm)	Suitable tools
ER2-0.75	3/4"	230	48	74	ESW-04 ESW-08 PSW-06
ER4-0.75		430			
ER2-1	1"	230	52		
ER4-1		430			



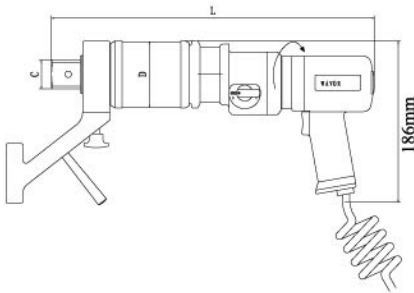


QPTW-S series

Suitable for continuous working, low noise

Noiseless pneumatic torque wrench (straight type):

- Air supply: 6bar compressed air, max consumption is 600L/min
- Preset torque, output and repeat accuracy: $\pm 5\%$ and $\pm 3\%$
- Powerful and low noise, less than 80DbA
- Free connection of power handle and gear box, could be rotated 360°
- With manual 2-speed gearbox, high/low speed can be shifted freely
- Reverse pressure-bias motor provide the higher torque when removing or loosening bolts
- Supply scope: Air register, hose, quick coupling (air inlet connector of air register is excluded)



As the higher reverse torque of pneumatic wrench, 30% reserved torque is enough.



⊙ Air register kit



For all models of pneumatic wrenches



Compressed air releases quickly in air motor and takes a lot of heat, thus power unit will not heat up obviously under continuous high workload, even in hot summer.

Model	Clockwise Torque (Nm)	Anticlockwise Torque (Nm)	Square C	Diameter D (mm)	Long L (mm)	Free Speed* (rpm)	Weight* (kg)
QPTW-08S	135-860	1050	1"	88	365	28	5.8
QPTW-13S	210-1350	1600	1"	88	365	16	5.9
QPTW-18S	285-1800	2160	1"	88	365	12	6.0
QPTW-32S	510-3250	3900	1-1/2"	88	422	7	8.3
QPTW-36S	560-3600	4300	1-1/2"	88	422	5	8.4
QPTW-45S	720-4590	5500	1-1/2"	88	422	4.2	8.5
QPTW-62S	970-6200	7400	1-1/2"	129	451	3.7	15.2
QPTW-108S	1690-10800	13000	1-1/2"	129	484	1.8	17.4

*Above weight does not include reaction arm

*Free speed is no load speed at 6bar air pressure under gear 2

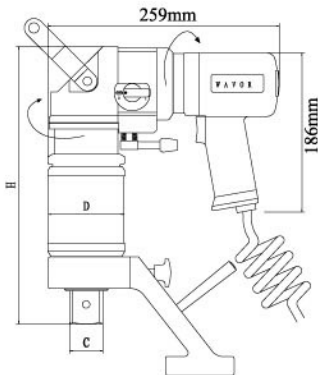
QPTW-A series

Suitable for continuous working, low noise



Noiseless pneumatic torque wrench (angled type):

- Air supply: 6bar compressed air, max consumption is 600L/min
- Preset torque, output and repeat accuracy: $\pm 5\%$ and $\pm 3\%$
- Powerful and low noise, less than 80Dba
- More suitable for limited working space compared to the straight type
- With manual 2-speed gearbox, high/low speed can be shifted freely
- Equipped with brake system to protect the operator
- Supply scope: Air register, hose, quick coupling (air inlet connector of air register is excluded)



✓ Packing list



All products are packed in sturdy and durable metal boxes for easy store, transport and supervising

✓ Reaction arm



One-piece support arm and grip handle, can be operated without any tool

Reaction arm can be customized

Model	Clockwise Torque (Nm)	Anticlockwise Torque (Nm)	Square C	Diameter D (mm)	High H (mm)	Free Speed* (rpm)	Weight* (kg)
QPTW-08A	135-860	1050	1"	88	252	28	7.0
QPTW-13A	210-1350	1600	1"	88	252	16	7.1
QPTW-18A	285-1800	2160	1"	88	252	12	7.2
QPTW-32A	510-3250	3900	1-1/2"	88	316	7	9.5
QPTW-36A	560-3600	4300	1-1/2"	88	316	5	9.6
QPTW-45A	720-4590	5500	1-1/2"	88	316	4.2	9.7
QPTW-62A	970-6200	7400	1-1/2"	129	345	3.7	16.4
QPTW-108A	1690-10800	13000	1-1/2"	129	378	1.8	18.6

*Above weight does not include reaction arm

*Free speed is no load speed at 6bar air pressure under gear 2

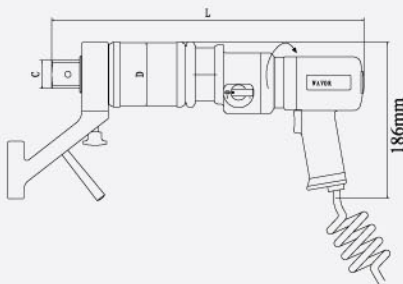


PTW series

High torque/weight ratio, good stability

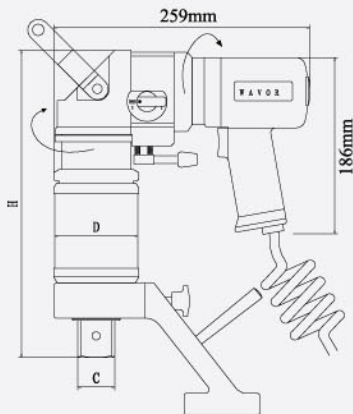
Standard pneumatic torque wrench :

- Air supply: 6bar compressed air, max consumption is 600L/min
- Preset torque, output and repeat accuracy: $\pm 5\%$ and $\pm 3\%$
- Provide higher torque output, Max noise is less 92dBA
- With manual 2-speed gearbox, high/low speed can be shifted freely
- Supply scope: Air register, hose, quick coupling (air inlet connector of air register is excluded)



PTW-S series standard pneumatic torque wrench (straight type)

Model	Clockwise Torque (Nm)	Anticlockwise Torque (Nm)	Square C	Diameter D (mm)	Long L (mm)	Free Speed* (rpm)	Weight* (kg)
PTW-09S	150-950	1150	1"	88	365	29.5	5.8
PTW-15S	230-1500	1800	1"	88	365	17	5.9
PTW-20S	320-2000	2400	1"	88	365	12.5	6.0
PTW-36S	560-3600	4300	1-1/2"	88	422	7.4	8.3
PTW-40S	630-4000	4800	1-1/2"	88	422	5.3	8.4
PTW-51S	800-5100	6100	1-1/2"	88	422	4.4	8.5
PTW-68S	1060-6800	8150	1-1/2"	129	451	4	15.2
PTW-120S	1880-12000	14400	1-1/2"	129	484	2	17.4



PTW-A series standard pneumatic torque wrench (angled type)

Model	Clockwise Torque (Nm)	Anticlockwise Torque (Nm)	Square C	Diameter D (mm)	High H (mm)	Free Speed* (rpm)	Weight* (kg)
PTW-09A	150-950	1150	1"	88	252	29.5	7.0
PTW-15A	230-1500	1800	1"	88	252	17	7.1
PTW-20A	320-2000	2400	1"	88	252	12.5	7.2
PTW-36A	560-3600	4300	1-1/2"	88	316	7.4	9.5
PTW-40A	630-4000	4800	1-1/2"	88	316	5.3	9.6
PTW-51A	800-5100	6100	1-1/2"	88	316	4.5	9.7
PTW-68A	1060-6800	8150	1-1/2"	129	345	4	16.4
PTW-120A	1880-12000	14400	1-1/2"	129	378	2	18.6

*Above weight does not include reaction arm

*Free speed is no load speed at 6bar air pressure under gear 2



HM series

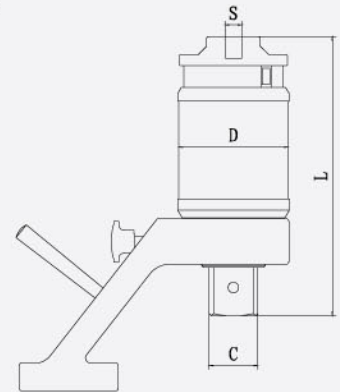
Compact, durable and reliable

Hand torque multiplier:

- Manual type, suitable for the occasions where it requires for high torque but power supply or space is limited.
- Torque increasing system of precise planetary gears, compact structure. Strong and durable, easy maintenance, accuracy: ±5%.
- All models are equipped with anti-returning device, to improve operation convenience and security.
- High torque/weight ratio, assisted with manual torque wrench, to easily realize precise assembly of bolts/nuts.
- Easily switch from clockwise to anti-clockwise direction by the reversing bar and buttons.



Don't drive hand torque multipliers by impact power tools. It may destroy the gear system. It is advised to be assisted with torque wrenches.



Model	Max.torque (Nm)	Gear ratio	Input Square S	Output Square C	Diameter D (mm)	Long L (mm)	Weight* (kg)
HM-08	800	1:4	1/2"	3/4"	88	156	3.6
HM-12	1200	1:4	3/4"	1"	88	163	3.7
HM-32	3200	1:16	1/2"	1"	88	210	5.5
HM-42	4200	1:16	3/4"	1-1/2"	88	220	6.1
HM-62	6200	1:22	1/2"	1-1/2"	129	248	12.4
HM-120	12000	1:64	1/2"	1-1/2"	129	281	15.5

*Above weight does not include reaction arm

Hand torque wrench

Dual scaled, N.m and Lbf.ft.; Bidirectional operation: clockwise and anti-clockwise; Accuracy: ±3%; Satisfy the requirements of ISO6789; Attached calibration certificate.

Model	Square C	Torque range		Long mm	Weight kg
		N.m	Lbs.Ft		
80020	3/8"	4-20	3-15	210	0.40
80060	3/8"	8-60	6-45	305	0.60
80100	3/8"	20-100	15-74	356	0.75
80101	1/2"	20-100	15-74	356	0.75
80200	1/2"	40-200	30-148	455	1.00
80300	1/2"	60-300	44-221	570	1.40
80330	1/2"	60-330	44-243	690	1.40
80400	3/4"	80-400	59-295	690	2.10
80700	3/4"	150-700	110-516	1090	6.00
81000	3/4"	300-1000	221-738	1470	7.00
81500	1"	700-1500	500-1000	1470	10.40





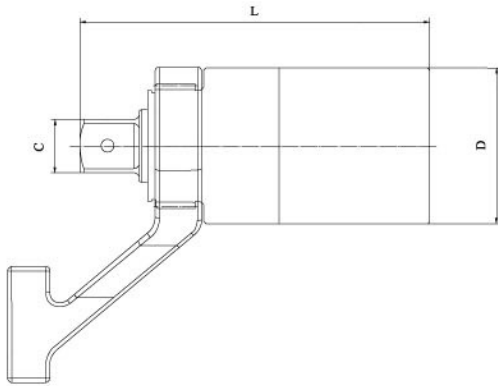
TS series

High accuracy, more portable

Special torque sensors for wrenches

Could be used in measuring torque of electrical, pneumatic, cordless torque wrenches and multipliers. They could display the max torque value and real-time torque value. The devices make users possible to complete the calibration of torque wrenches and monitor the actual torque value during assembly. Output accuracy is in $\pm 2\%$.

Supply scope: torque sensor, display instrument and electric cable.



TS1 series torque sensors

Model	Torque (Nm)	Square C	D (mm)	L (mm)	Weight* (kg)	Suitable Wrenches		
						Electric/Cordless	Pneumatic	Multiplier
TS1-10	1000	3/4"	88	186	3.7	ETW-08S/A, RMW-07		HM-08
TS1-20	2000	1"	88	186	3.9	ETW-12S/A, RMW-10/12	(Q)PTW-08,09,13,15,18,20S/A	HM-12
TS1-32	3200	1"	88	190	6.2	ETW-26S/A, RMW-25/32		HM-32
TS1-52	5200	1-1/2"	105	194	6.5	ETW-38S/A, RMW-40	(Q)PTW-32,36,40,45,48,51S/A	HM-42
TS1-70	7000	1-1/2"	130	202	10.8	ETW-60S/A	(Q)PTW-62,68S/A	HM-60
TS1-130	13000	1-1/2"	130	208	12.0	ETW-80,100,120S/A	(Q)PTW-108,120S/A	HM-120

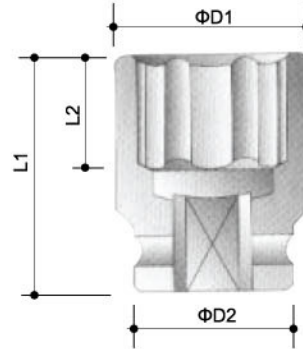
TS2 series torque sensors

Model	Torque (Nm)	Square C	Diameter D (mm)	Long L (mm)	Weight* (kg)	Suitable Wrenches	
						Electric	Pneumatic
TS2-10	1000	3/4"	76	160	1.9	ESW04,08	PSW-06
TS2-20	2000	1"	76	163	2.0	ESW-12	PSW-10,15,20

*Above weight does not include reaction arm

Socket series

Metric sockets



3/4"metric standard length sockets

Model	Size(mm)	L1(mm)	L2(mm)	D1(mm)	D2(mm)
M10-3/4	17	50	12	28.5	38
M12-3/4	19	50	14	30	
M14-3/4	22	52	16	34	
M16-3/4	24	52	16	36	
M18-3/4	27	52	16	40	44
M20-3/4	30	52	20	44	
M22-3/4	32	52	20	44	
M24-3/4	36	56	23	51	
M27-3/4	41	62	27	58	44
M30-3/4	46	63	27	67	

3/4"metric deep length sockets

Model	Size(mm)	L1(mm)	L2(mm)	D1(mm)	D2(mm)
M10-3/4L	17	95	20	31	44
M12-3/4L	19	95	23	33	
M14-3/4L	22	95	23	37	
M16-3/4L	24	95	51	39	
M18-3/4L	27	95	62	43	
M20-3/4L	30	95	62	47	
M22-3/4L	32	95	62	49	
M24-3/4L	36	95	62	54	
M27-3/4L	41	95	60	60	
M30-3/4L	46	95	58	67	

1"metric standard length sockets

Model	Size(mm)	L1(mm)	L2(mm)	D1(mm)	D2(mm)
M16-1	24	58	17	40	51
M18-1	27	58	17	44	
M20-1	30	60	21	48	
M22-1	32	60	21	51	
M24-1	36	62	26	56	52
M27-1	41	62	26	61.5	
M30-1	46	64	27	68	58
M33-1	50	70	30	73	
M36-1	55	72	32	79	62
M39-1	60	78	35	87	

1"metric deep length sockets

Model	Size(mm)	L1(mm)	L2(mm)	D1(mm)	D2(mm)
M16-1L	24	100	21	42	54
M18-1L	27	100	23	46	
M20-1L	30	100	50	50	
M22-1L	32	100	50	52	
M24-1L	36	100	64	56	
M27-1L	41	100	64	63	
M30-1L	46	100	62	69	
M33-1L	50	100	62	74	
M36-1L	55	100	60	80	
M39-1L	60	120	77	86	

1-1/2"metric standard length sockets

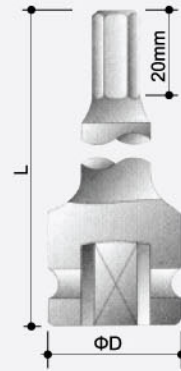
Model	Size(mm)	L1(mm)	L2(mm)	D1(mm)	D2(mm)
M27-1.5	41	80	26	70	86
M30-1.5	46	84	27	76	
M33-1.5	50	87	29	81	
M36-1.5	55	90	36	86	
M39-1.5	60	92	38	93	
M42-1.5	65	95	40	97	
M45-1.5	70	100	43	105	
M48-1.5	75	103	45	110	
M52-1.5	80	110	50	116	
M56-1.5	85	118	55	125	
M60-1.5	90	118	55	130	

1-1/2"metric deep length sockets

Model	Size(mm)	L1(mm)	L2(mm)	D1(mm)	D2(mm)
M27-1.5L	41	115	30	72	86
M30-1.5L	46	115	34	78	
M33-1.5L	50	135	36	81	
M36-1.5L	55	140	39	86	
M39-1.5L	60	150	41	94	
M42-1.5L	65	150	45	100	
M45-1.5L	70	160	47	106	
M48-1.5L	75	170	51	112	
M52-1.5L	80	170	51	118	
M56-1.5L	85	170	56	125	
M60-1.5L	90	170	56	125	

Sockets series

Metric driver sockets



3/4"metric hex driver sockets

Model	Size(mm)	D(mm)	L(mm)
H12-0.75	10	44	100
H14-0.75	12		
H16-0.75	14		
H20-0.75	17		
H24-0.75	19		
H30-0.75	22		
H33-0.75	24		
H36-0.75	27		

1"metric hex driver sockets

Model	Size(mm)	D(mm)	L(mm)
H16-1	14	54	100
H20-1	17		
H24-1	19		
H30-1	22		
H33-1	24		
H36-1	27		
H39-1	30		
H42-1	32		

1-1/2"metric hex driver sockets

Model	Size(mm)	D(mm)	L(mm)
H24-1.5	19	86	120
H30-1.5	22		
H33-1.5	24		
H36-1.5	27		
H39-1.5	30		
H42-1.5	32		
H48-1.5	36		

Note: If you would like to get more information about metric or imperial sockets, please don't hesitate to contact us.

WAVOR could customize special reaction arms or tools for you:



WAVOR[®]

Distributor